

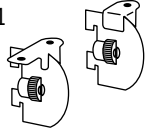

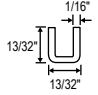
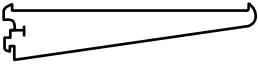
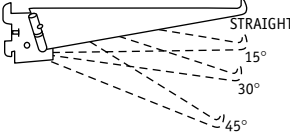
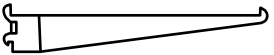


	Description:	Item Number	Price/ea
<b>101</b> 	Shelf Bracket • Universal • Champion Finish: SK Satin Kromolite	101-6	\$3.34
		101-8	\$3.46
		101-10	\$3.49
		101-12	\$3.62
		101-14	\$3.81
		101-16	\$3.99
		101-18	\$4.34
		<b>102</b> 	Bracket • Universal • Champion Finish: SK Satin Kromolite
102-8	\$3.92		
102-10	\$3.99		
102-12	\$4.08		
102-14	\$4.26		
102-16	\$4.47		
102-18	\$4.69		
<b>120-121</b> 	Stub Brackets • Universal • Champion Finish: BC Bright Chrome		
		121 (End L & R)	\$4.36
<b>130</b>  	Wall Standard • Universal • Champion Finish: KX Kromolite Use #6 Countersink Screws	130-36	\$8.60
		130-48	\$11.47
		130-54	\$12.60
		130-60	\$14.41
		130-72	\$16.16
		130-84	\$18.07
		130-144	\$28.30
		<b>201</b> 	Shelf Bracket • Universal Finish: KX Kromolite
201-6	\$1.87		
201-8	\$1.97		
201-10	\$1.99		
201-12	\$2.08		
201-14	\$2.24		
201-16	\$2.39		
201-18	\$2.54		
<b>203</b> 	Adjustable Shelf Bracket • Universal Finish: KX Kromolite (specify left or right)	203-6	\$4.08
		203-8	\$4.17
		203-10	\$4.19
		230-12	\$4.29
		203-14	\$4.38
		203-16	\$4.54
		203-18	\$4.69
		<b>207</b> 	Angled Shelf Bracket (tension bracket) • Universal Finish: KX Kromolite Specify left or right
207-10	\$2.12		
207-12	\$2.52		
207-14	\$2.66		
207-16	\$2.96		
207-18	\$3.24		

# Universal Champion

## Universal Slotting Standards:

1/2" slots on 1" centers

Standards are fabricated from .060" and .090" tempered steel and have countersunk holes

Use No. 6 or No. 8 countersink screws

Knife brackets are fabricated from 3/32" (13GA) steel to hold medium weight loads

## Champion Slotting Standards:

1/2" slots on 1" centers

Standards are fabricated from .080" or .090" tempered steel and have countersunk holes

Use No. 6 or No. 8 countersink screws

Knife brackets are fabricated from 3/32" (13GA) steel to hold medium weight loads

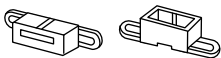
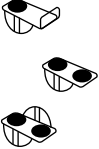
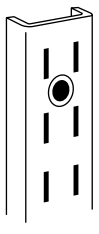
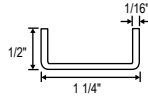
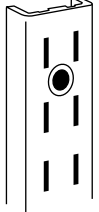
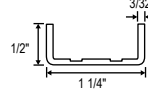
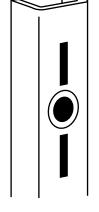
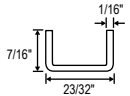
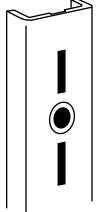
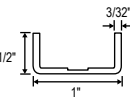
All Champion brackets have a Nylon LoK-tite™ cam or thumb screw to lock the bracket in place, eliminating bracket wobble

June 2008

**Corporate/Plant:**  
 765 S. Rt. 83  
 Elmhurst, IL 60126-4228  
 T: 630-279-9800  
 F: 630-279-9807  
 www.crownmetal.com

**West Coast Warehouse**  
 11738-A San Marino St.  
 Rancho Cucamonga, CA 91730  
 T: 909-291-8585  
 F: 909-291-8587  
 ca-sales@crowmetal.com



	Description:	Item Number	Price/ea
210-211 	Showcase Fittings Finish: KX Kromolite	210 (Top) 211 (Bottom)	\$0.62 \$0.62
212-216 	Bracket Clips • Universal • Champion Finish: KX Kromolite	212 (End) 214 (Center) 216 (Front) Rubber bumpers included, not assembled	\$0.39 \$0.45 \$0.45
220 	Double Slotted Standard • Universal • Champion Finish: KX Kromolite Use #8 countersink screws 	220-24 220-30 220-36 220-42 220-48 220-60 220-72 220-84	\$6.99 \$8.09 \$8.68 \$9.69 \$10.30 \$11.93 \$13.56 \$15.15
224 	Double Slotted Standard • Universal • Champion Finish: KX Kromolite Use #8 countersink screws 	224-24 224-30 224-36 224-42 224-48 224-60 224-72 224-84	\$7.60 \$8.83 \$9.57 \$10.76 \$11.50 \$13.40 \$15.33 \$17.24
230 	Wall Standard • Universal • Champion Finish: KX Kromolite Use #8 countersink screws 	230-24 230-30 230-36 230-42 230-48 230-60 230-72 230-84 230-96	\$6.59 \$7.49 \$7.95 \$8.87 \$9.33 \$10.70 \$12.05 \$13.40 \$15.49
234 	H.D. Wall Standard • Universal • Champion Finish: KX Kromolite Use #8 countersink screws 	234-24 234-30 234-36 234-42 234-48 234-60 234-72 234-84 234-96 234-120	\$7.23 \$8.31 \$8.92 \$9.94 \$10.58 \$12.09 \$13.86 \$15.51 \$17.72 \$21.03

# Universal Champion

## Universal

### Slotting Standards:

1/2" slots on 1" centers

Standards are fabricated from .060" and .090" tempered steel and have countersunk holes

Use No. 6 or No. 8 countersink screws

Knife brackets are fabricated from 3/32" (13GA) steel to hold medium weight loads

## Champion

### Slotting Standards:

1/2" slots on 1" centers

Standards are fabricated from .080" or .090" tempered steel and have countersunk holes

Use No. 6 or No. 8 countersink screws

Knife brackets are fabricated from 3/32" (13GA) steel to hold medium weight loads

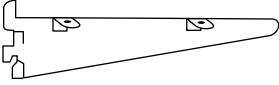
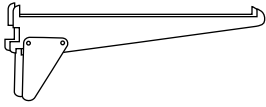
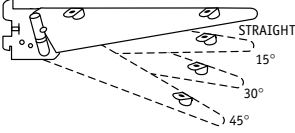
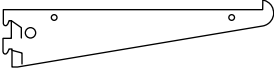
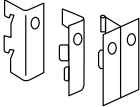
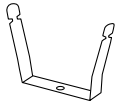
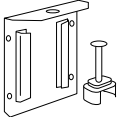
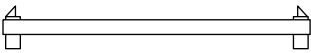
All Champion brackets have a Nylon LoK-tite™ cam or thumb screw to lock the bracket in place, eliminating bracket wobble

June 2008

**Corporate/Plant:**  
765 S. Rt. 83  
Elmhurst, IL 60126-4228  
T: 630-279-9800  
F: 630-279-9807  
www.crownmetal.com

**West Coast Warehouse**  
11738-A San Marino St.  
Rancho Cucamonga, CA 91730  
T: 909-291-8585  
F: 909-291-8587  
ca-sales@crowmetal.com



	Description:	Item Number	Price/ea
240 	Wood Shelf Bracket • Universal Finish: KX Kromolite (specify left or right)	240-8 240-10 240-12 240-14 240-16	\$4.05 \$4.08 \$4.20 \$4.32 \$4.47
242 	Double Bracket • Universal Finish: KX Kromolite	242-8 242-10 242-12 242-14 242-16 242-18	\$8.06 \$8.13 \$8.37 \$8.59 \$8.87 \$9.20
243 	Adjustable Wood Shelf Bracket • Universal Finish: KX Kromolite (specify left or right)	243-8 243-10 243-12 243-14 243-16 243-18	\$5.46 \$5.49 \$5.58 \$5.67 \$5.80 \$5.98
361 	Shelf Bracket • Universal Finish: KX Kromolite	361-6 361-8 361-10 361-12 361-14 361-16 361-18	\$2.76 \$2.85 \$2.91 \$3.00 \$3.13 \$3.28 \$3.44
367-368 	Crossbar Brackets • Universal Finish: KX Kromolite	367 (L & R) 368 (Center)	\$2.83 \$3.55
535 	Strap Lamp Holder Finish: KX Kromolite For cornice brackets #3145 and #3545	535	\$1.73
553 	Cornice Bracket Adjusting Clip Set Finish: KX Kromolite For cornice brackets #3145 and #3545	553	\$6.30
600 	All Weld Crossbars • Universal Finish: BC Bright Chrome	600-30 (30" o.c.) 600-36 (36" o.c.)	\$10.94 \$12.64

# Universal Champion

## Universal Slotting Standards:

1/2" slots on 1" centers  
Standards are fabricated from .060" and .090" tempered steel and have countersunk holes

Use No. 6 or No. 8 countersink screws

Knife brackets are fabricated from 3/32" (13GA) steel to hold medium weight loads

## Champion Slotting Standards:

1/2" slots on 1" centers  
Standards are fabricated from .080" or .090" tempered steel and have countersunk holes

Use No. 6 or No. 8 countersink screws

Knife brackets are fabricated from 3/32" (13GA) steel to hold medium weight loads


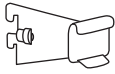

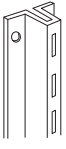



All Champion brackets have a Nylon LoK-tite™ cam or thumb screw to lock the bracket in place, eliminating bracket wobble

June 2008

**Corporate/Plant:**  
765 S. Rt. 83  
Elmhurst, IL 60126-4228  
T: 630-279-9800  
F: 630-279-9807  
www.crownmetal.com

**West Coast Warehouse**  
11738-A San Marino St.  
Rancho Cucamonga, CA 91730  
T: 909-291-8585  
F: 909-291-8587  
ca-sales@crowmetal.com



	Description:	Item Number	Price/ea
1039 	Rectangular Straight • Universal • Champion Finish: BC Bright Chrome	1039-3 1039-12 1039-14	\$7.69 \$9.53 \$9.74
1060 	Crossbar Brackets • Universal • Champion Finish: BC Bright Chrome	1060-2 1060-4 1060-6 1060-8 1060-10	\$3.99 \$3.99 \$4.01 \$4.05 \$4.14
3145 	Cornice Bracket • Universal • Champion Finish: KX Kromolite See Part #535 and #553 accessories	3145-18 <i>Fits Universal</i> 3145-24 <i>Slot 0.080</i> 3145-30  x3145-18 <i>Fits Universal</i> x3145-24 <i>Slot 0.060</i> x3145-30	\$20.04 \$20.32 \$22.21  \$20.73 \$21.84 \$23.13
3170 	Winged T Standard • Champion Finish: Satin Aluminum	3170-8ft 3170-12ft	\$54.00 \$81.00
3200 	Champion Line Shelf Bracket • Universal • Champion Finish: SK Satin Kromolite	3200-6 3200-8 3200-10 3200-12 3200-14	\$3.44 \$3.62 \$3.71 \$3.90 \$4.08
3201 	Bracket • Universal • Champion Finish: SK Satin Kromolite	3201-6 3201-8 3201-10 3201-12 3201-14 3201-16 3201-18	\$3.68 \$3.81 \$3.86 \$3.99 \$4.11 \$4.38 \$4.57
3202 	Bracket • Universal • Champion Finish: SK Satin Kromolite	3202-6 3202-8 3202-10 3202-12 3202-14 3202-16 3202-18	\$4.17 \$4.29 \$4.32 \$4.45 \$4.57 \$4.73 \$4.91

# Universal Champion

## Universal Slotting Standards:

1/2" slots on 1" centers  
Standards are fabricated from .060" and .090" tempered steel and have countersunk holes

Use No. 6 or No. 8 countersink screws

Knife brackets are fabricated from 3/32" (13GA) steel to hold medium weight loads

## Champion Slotting Standards:

1/2" slots on 1" centers  
Standards are fabricated from .080" or .090" tempered steel and have countersunk holes

Use No. 6 or No. 8 countersink screws

Knife brackets are fabricated from 3/32" (13GA) steel to hold medium weight loads

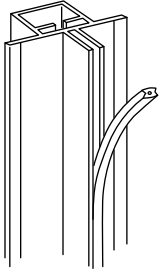
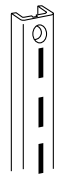
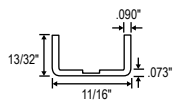
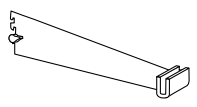
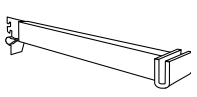
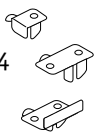
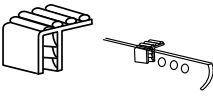

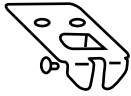
All Champion brackets have a Nylon LoK-tite™ cam or thumb screw to lock the bracket in place, eliminating bracket wobble

February 2009

**Corporate/Plant:**  
765 S. Rt. 83  
Elmhurst, IL 60126-4228  
T: 630-279-9800  
F: 630-279-9807  
www.crownmetal.com

**West Coast Warehouse**  
11738-A San Marino St.  
Rancho Cucamonga, CA 91730  
T: 909-291-8585  
F: 909-291-8587  
ca-sales@crowmetal.com



	Description:	Item Number	Price/ea
	(11/16" lip) Finish: Aluminum	3240-72 3240-84 3240-96	\$46.53 \$54.32 \$62.06
	(9/16" lip) Finish: Aluminum	3241-72 3241-84 3241-96	\$46.53 \$54.32 \$62.06
	(13/16" lip) Finish: Aluminum	3242-72 3242-84 3242-96	\$46.53 \$54.32 \$62.06
3249	 Wall Standard • Champion • Kromolite Finish: KX Kromolite 	3249-24 3249-30 3249-36 3249-42 3249-48 3249-60 3249-72 3249-84 3249-96	\$6.68 \$7.60 \$8.10 \$9.02 \$9.53 \$10.91 \$12.33 \$13.34 \$15.88
3273	 Bracket • Universal • Champion For 1/2" x 1 1/2" hangrod Finish: BC Bright Chrome	3273-3 3273-12	\$7.01 \$8.65
3275	 Bracket • Universal • Champion For 1/2" x 1 1/2" hangrod Finish: BC Bright Chrome	3275-3 3275-12 3275-14	\$7.80 \$9.62 \$10.02
3312 3314 3316	 Snap-In Bracket Clips • Universal • Champion Finish: KX Kromolite	3312 3314 3316	\$0.47 \$0.47 \$0.47
5110	 Glass Shelving Cushion Fits all series of blade brackets Opaque plastic	5110	\$0.17
5111	 Rubber Bumpers	5111 Gray 5111-CLR Clear	\$0.09 \$0.14
5117	 Screw-on Center Clip Zinc	5117	\$0.58

# Universal Champion

## Universal Slotting Standards:

1/2" slots on 1" centers

Standards are fabricated from .060" and .090" tempered steel and have countersunk holes

Use No. 6 or No. 8 countersink screws

Knife brackets are fabricated from 3/32" (13GA) steel to hold medium weight loads

## Champion Slotting Standards:

1/2" slots on 1" centers

Standards are fabricated from .080" or .090" tempered steel and have countersunk holes

Use No. 6 or No. 8 countersink screws

Knife brackets are fabricated from 3/32" (13GA) steel to hold medium weight loads

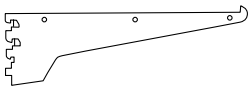
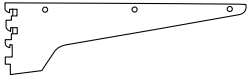
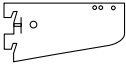
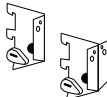

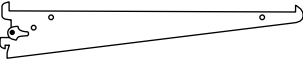
All Champion brackets have a Nylon LoK-tite™ cam or thumb screw to lock the bracket in place, eliminating bracket wobble

June 2008

**Corporate/Plant:**  
765 S. Rt. 83  
Elmhurst, IL 60126-4228  
T: 630-279-9800  
F: 630-279-9807  
www.crownmetal.com

**West Coast Warehouse**  
11738-A San Marino St.  
Rancho Cucamonga, CA 91730  
T: 909-291-8585  
F: 909-291-8587  
ca-sales@crowmetal.com



	Description:	Item Number	Price/ea
3361 	Plus Brackets • Universal Finish: SK Satin Kromolite	3361-10	\$4.60
		3361-12	\$4.73
		3361-14	\$4.84
		3361-16	\$5.25
		3361-18	\$5.34
		3361-20	\$5.49
		3361-22	\$5.74
		3361-24	\$5.92
3362 	Bracket • Universal Finish: SK Satin Kromolite	3362-10	\$5.09
		3362-12	\$5.21
		3362-14	\$5.34
		3362-16	\$5.65
		3362-18	\$5.80
		3362-20	\$5.98
		3362-22	\$6.29
		3363-24	\$6.47
3365 	Bracket • Universal • Champion Finish: SK Satin Kromolite	3365	\$5.04
3367-3368 	Crossbar Brackets • Universal • Champion Finish: KX Kromolite	3367 (L & R)	\$4.32
		3368 (Center)	\$4.57
T Standard Hidden System 	• Champion Finish: Painted Black or KX Kromolite 11/16" Lip	3380-72	\$19.32
		3380-84	\$22.54
		3380-96	\$25.76
	• Champion Finish: Painted Black or KX Kromolite 13/16" Lip	3380-120	\$32.20
		3380-144	\$41.40
		3381-72	\$19.32
	• Champion Finish: Painted Black or KX Kromolite 7/16" Lip	3381-84	\$22.54
		3381-96	\$25.76
		3381-120	\$32.20
3381-144		\$41.40	
3382-72		\$19.32	
3382-84		\$22.54	
3500 	Bracket • Universal • Champion Finish: SK Satin Kromolite	3500-6	\$3.55
		3500-8	\$3.65
		3500-10	\$3.71
		3500-12	\$3.83
		3500-14	\$3.92

# Universal Champion

## Universal Slotting Standards:

1/2" slots on 1" centers

Standards are fabricated from .060" and .090" tempered steel and have countersunk holes

Use No. 6 or No. 8 countersink screws

Knife brackets are fabricated from 3/32" (13GA) steel to hold medium weight loads

## Champion Slotting Standards:

1/2" slots on 1" centers

Standards are fabricated from .080" or .090" tempered steel and have countersunk holes

Use No. 6 or No. 8 countersink screws

Knife brackets are fabricated from 3/32" (13GA) steel to hold medium weight loads

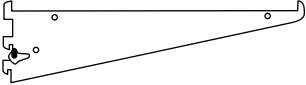
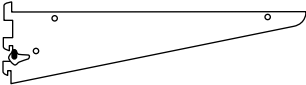
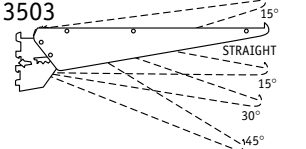
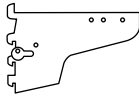
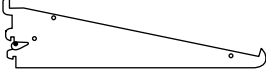
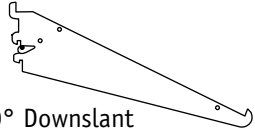
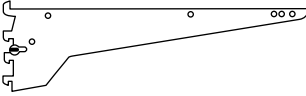
All Champion brackets have a Nylon LoK-tite™ cam or thumb screw to lock the bracket in place, eliminating bracket wobble

June 2008

**Corporate/Plant:**  
 765 S. Rt. 83  
 Elmhurst, IL 60126-4228  
 T: 630-279-9800  
 F: 630-279-9807  
 www.crownmetal.com

**West Coast Warehouse**  
 11738-A San Marino St.  
 Rancho Cucamonga, CA 91730  
 T: 909-291-8585  
 F: 909-291-8587  
 ca-sales@crowmetal.com



	Description:	Item Number	Price/ea
3501 	Bracket • Universal • Champion Finish: SK Satin Kromolite	3501-6 3501-8 3501-10 3501-12 3501-14 3501-16 3501-18	\$4.09 \$4.27 \$4.38 \$4.60 \$4.82 \$5.21 \$5.46
3502 	Bracket (No Lip) • Universal • Champion Finish: SK Satin Kromolite	3502-6 3502-8 3502-10 3502-12 3502-14 3502-16 3502-18	\$4.54 \$4.73 \$4.88 \$5.09 \$5.30 \$5.67 \$5.95
3503 	Adjustable Bracket • Universal • Champion Finish: SK Satin Kromolite	3503-10 3503-12 3503-14 3503-16 3503-18	\$7.69 \$7.91 \$8.13 \$8.50 \$8.96
3505 	Bracket • Universal • Champion Finish: SK Satin Kromolite	3505	\$5.48
3506 	Bracket • Universal • Champion Finish: SK Satin Kromolite	3506-8 3506-10 3506-12 3506-14 3506-16	\$5.06 \$5.18 \$5.24 \$5.37 \$5.67
3508 	Bracket • Universal • Champion Finish: SK Satin Kromolite	3508-8 3508-10 3508-12 3508-14 3508-16	\$5.06 \$5.18 \$5.24 \$5.37 \$5.67
3524 	Hangrail Bracket • Universal • Champion Finish: SK Satin Kromolite	3524-10 3524-12 3524-14	\$5.21 \$5.39 \$5.61

# Universal Champion

## Universal Slotting Standards:

1/2" slots on 1" centers

Standards are fabricated from .060" and .090" tempered steel and have countersunk holes

Use No. 6 or No. 8 countersink screws

Knife brackets are fabricated from 3/32" (13GA) steel to hold medium weight loads

## Champion Slotting Standards:

1/2" slots on 1" centers

Standards are fabricated from .080" or .090" tempered steel and have countersunk holes

Use No. 6 or No. 8 countersink screws

Knife brackets are fabricated from 3/32" (13GA) steel to hold medium weight loads

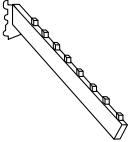
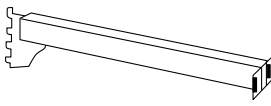
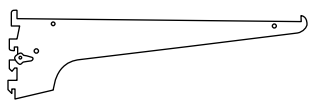
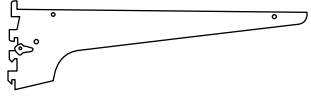
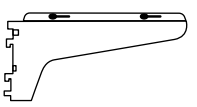
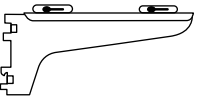
All Champion brackets have a Nylon LoK-tite™ cam or thumb screw to lock the bracket in place, eliminating bracket wobble

June 2008

**Corporate/Plant:**  
765 S. Rt. 83  
Elmhurst, IL 60126-4228  
T: 630-279-9800  
F: 630-279-9807  
www.crownmetal.com

**West Coast Warehouse**  
11738-A San Marino St.  
Rancho Cucamonga, CA 91730  
T: 909-291-8585  
F: 909-291-8587  
ca-sales@crowmetal.com



	Description:	Item Number	Price/ea
3533 	Tubular Waterfalls • Universal • Champion Finish: BC Bright Chrome	3533 (With Stops)	\$26.96
3545 	Cornice Bracket • Universal • Champion Finish: KX Kromolite See part #553 and #535 accessories	3545-18 3545-24 3545-30	\$20.49 \$20.91 \$21.29
3601 	Bracket • Universal • Champion Finish: SK Satin Kromolite	3601-16 3601-18 3601-20 3601-22 3601-24	\$5.55 \$5.76 \$6.52 \$6.73 \$7.56
3602 	Bracket (No Lip) • Universal • Champion Finish: SK Satin Kromolite	3602-16 3602-18 3602-20 3602-22 3602-24	\$5.90 \$6.07 \$6.93 \$7.14 \$7.97
4240 	Heavy Duty Wood Shelf Brackets (Specify Lefts or Rights) • Universal Finish: KX Kromolite Slots are keyhole shaped	4240-10 4240-12 4240-14 4240-16 4240-18 4240-20 4240-22 4240-24 4240-26	\$4.78 \$5.00 \$5.21 \$5.46 \$5.74 \$5.98 \$6.26 \$6.53 \$6.81
4241 	H.D. Wood Shelf Brackets- Centers • Universal Finish: KX Kromolite Slots are keyhole shaped	4241-10 4241-12 4241-14 4241-16 4241-18 4241-20 4241-22 4241-24 4241-26	\$6.20 \$6.41 \$6.62 \$6.87 \$7.14 \$8.21 \$10.52 \$11.07 \$12.94

# Universal Champion

## Universal Slotting Standards:

1/2" slots on 1" centers  
Standards are fabricated from .060" and .090" tempered steel and have countersunk holes

Use No. 6 or No. 8 countersink screws

Knife brackets are fabricated from 3/32" (13GA) steel to hold medium weight loads

## Champion Slotting Standards:

1/2" slots on 1" centers  
Standards are fabricated from .080" or .090" tempered steel and have countersunk holes

Use No. 6 or No. 8 countersink screws

Knife brackets are fabricated from 3/32" (13GA) steel to hold medium weight loads

All Champion brackets have a Nylon LoK-tite™ cam or thumb screw to lock the bracket in place, eliminating bracket wobble

June 2008

**Corporate/Plant:**  
765 S. Rt. 83  
Elmhurst, IL 60126-4228  
T: 630-279-9800  
F: 630-279-9807  
www.crownmetal.com

**West Coast Warehouse**  
11738-A San Marino St.  
Rancho Cucamonga, CA 91730  
T: 909-291-8585  
F: 909-291-8587  
ca-sales@crowmetal.com

